

ATTENTION: RECHARGEABLE BATTERY,  
FOR 30 HOURS CONTINUOUS WORKING

BUILT-IN  
BLUETOOTH

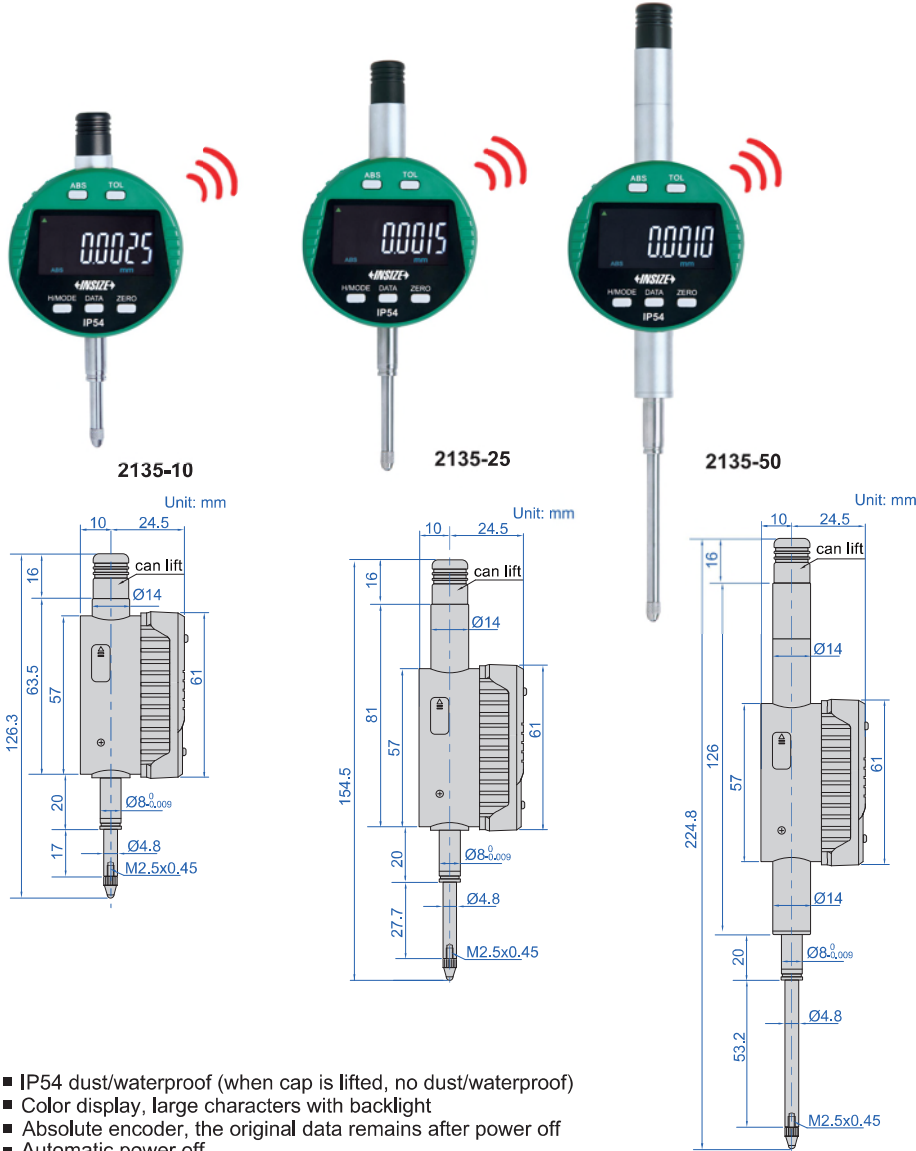
# BLUETOOTH HIGH PRECISION DIGITAL INDICATORS



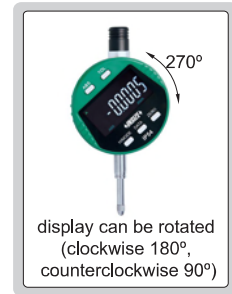
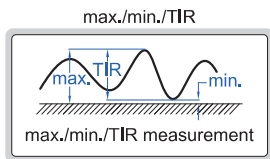
IP54  
WATERPROOF

COLOR DISPLAY  
LARGE CHARACTERS WITH BACKLIGHT

ABSOLUTE ENCODER, THE ORIGINAL  
DATA REMAINS AFTER POWER OFF



warning in red when over tolerance



spindle lift knob is included



- IP54 dust/waterproof (when cap is lifted, no dust/waterproof)
- Color display, large characters with backlight
- Absolute encoder, the original data remains after power off
- Automatic power off
- Display can be rotated by 270°
- Adjustable resolution: 0.0005mm/0.00002"  
0.001mm/0.00005"
- Button function: on/off, zero setting, data preset, tolerance Go and No-Go display, data hold, mm/inch, measuring direction change, blue tooth, max./min./TIR, adjust resolution, absolute/incremental measurement, data output
- Android and iPhone APP, USB type-C cable are included
- Power: rechargeable Li-battery, for 30 hours continuous working (bluetooth transmission reduce working hours)

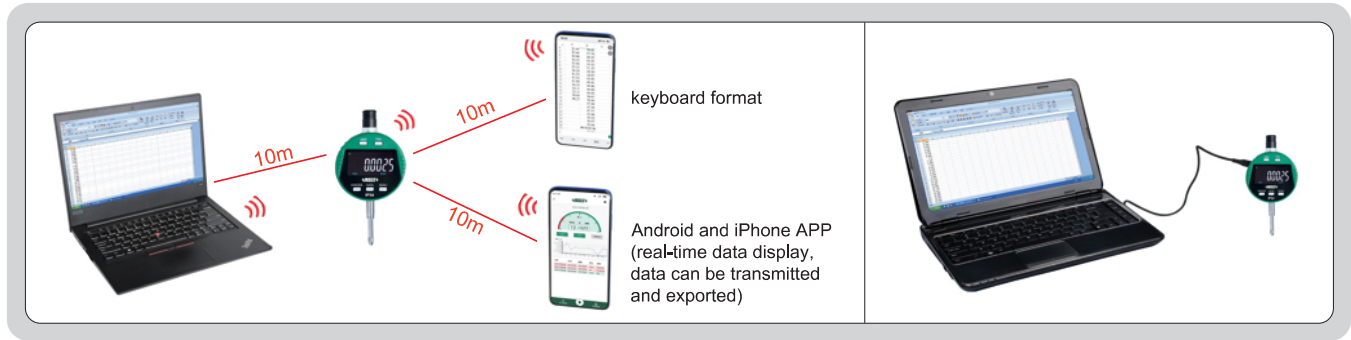
Code	Range	Accuracy	Hysteresis	Maximum measuring force	cap	Remark
2135-10*	2.7mm/0.5"	2µm	1.5µm	1.5N	can lift	flat back
2135-25*	25.4mm/1"	2µm	1.5µm	1.8N	can lift	flat back
2135-50*	50.8mm/2"	4µm	2µm	2.3N	can lift	flat back

\*Supplied with manufacturer inspection certificate

## Data output

Data output with bluetooth (transmission distance is 10 meters)	keyboard format	data can be transmitted to Excel, Word, txt, etc.	single or continuous transmission (the fastest data output is 15pcs per 10s)
	virtual com port	data can be transmitted to Android and iPhone APP	real-time display (continuous transmission) or single transmission
Data output with USB cable (cable length 1.8 meters)	keyboard format	data can be transmitted to Excel, Word, txt, etc.	single or continuous transmission (the fastest data output is 40pcs per 10s)
	virtual com port and 485 data output can be customized		

### Date output with bluetooth and USB cable (include)



Android and iPhone APP (included),  
can choose real-time display (continuous transmission) or single transmission

#### Real-time data from multiple digital indicators (up to 7 simultaneously connected)

13:50 5G

← INSIZE →

2135Devices

- 2135-020833503 15.2260 MM
- 2135-014333134 51.8540 MM

Record Add device

#### Transmission interface for single digital indicator

13:52 5G

← INSIZE →

2135-020833503

indicator dial

real-time data (display in green when within tolerance and display in red when out of tolerance)

graph

Name	Time	Value	Unit	Status
2135-020833503	2024-07-19 13:52:48	20.8160	MM	UpMax
2135-020833503	2024-07-19 13:52:47	12.8840	MM	OK

red background (out of tolerance)  
green background (within tolerance)

send data (EXCEL/PDF/JPEG) Export Clear

transmission button

select continuous or single transmission mode and set parameters and tolerance